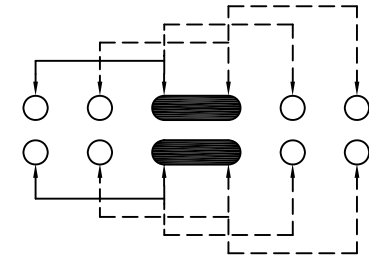
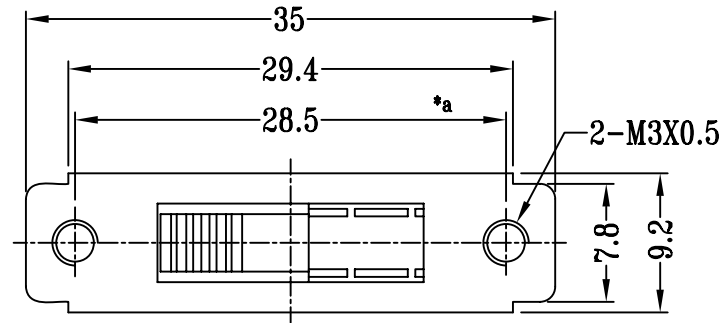
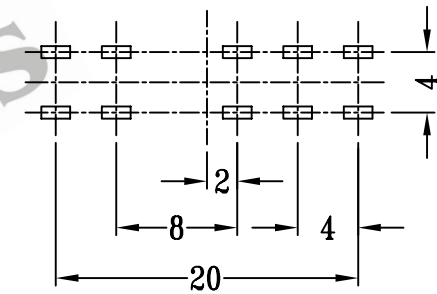
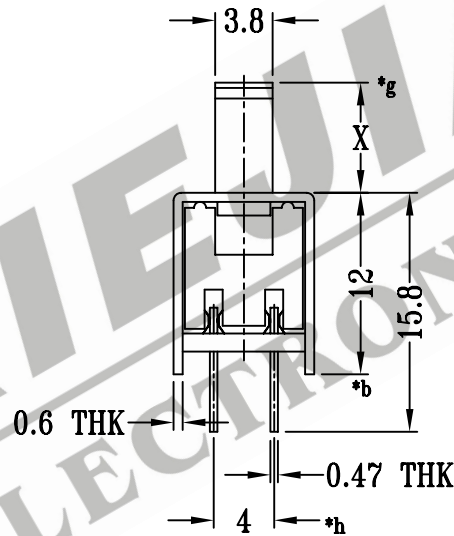
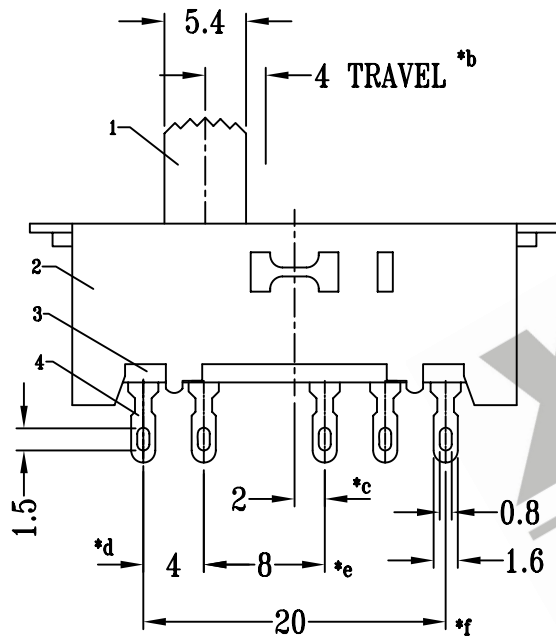


CAD FILE:



SCHEMATIC (SHORTING)



P.C.B LAYOUT

注:带"*"表示关键尺寸(8个)

					TOLERANCE UNLESS SPECIFIED		SHENZHEN XIEJIA ELECTRONICS CO.,LTD.				
					WITHIN: 1.5±0.1mm OVER : 1.5±0.2mm		ISSUE	DATE	DESCRIPTIONS OF REVISION		APPD.
8											
7	STEEL BALL	STEEL	2	NATURAL	TITLE : VERTICAL SLIDE SWITCH		UNIT : mm		DRWG NO.: XJ-DR-SS24H02-00		
6	SPRING	STEEL WIRE	1	TEMPER					DWN.	ZHOUYU	2001-8-23
5	CONTACT CLIP	PBS STRIP	2	Ag PLATED	MODEL: SS-24H02		SCALE: 2 : 1		CHK'D	FANGYING	2001-8-23
4	TERMINAL	BRASS STRIP	10	Ag PLATED OVER Ni PLATED					APPD.	KANGXINAN	2001-8-23
3	BASE	PHENOLIC RESIN	1	BLACK	ALL MATERIALS MUST BE COMPLIANT TO ROHS						
2	FRAME	STEEL STRIP	1	Ni PLATED							
1	KNOB	POM	1	BLACK							
NO.	PARTS	MATERIALS	Q'TY	FINISH							